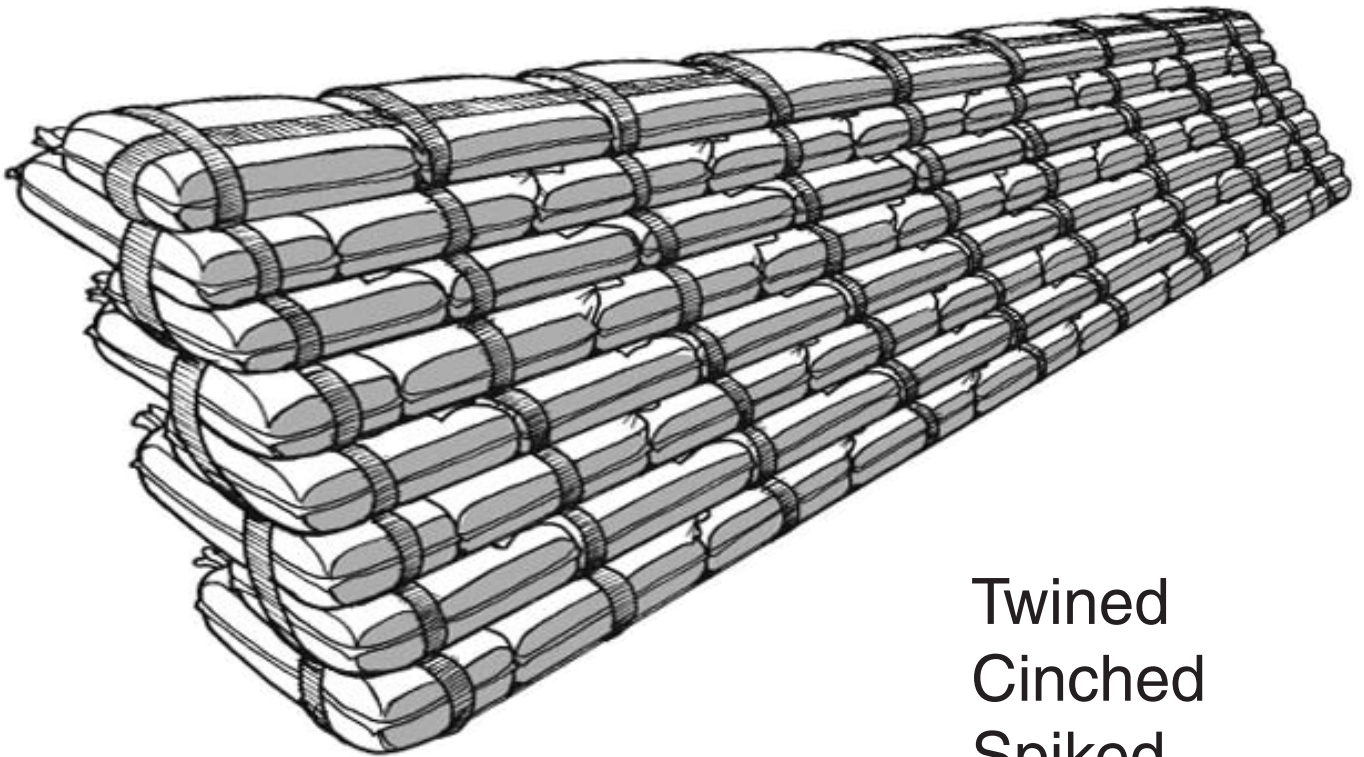


Build a Wall



Twined
Cinched
Spiked

 **Envirolok**TM

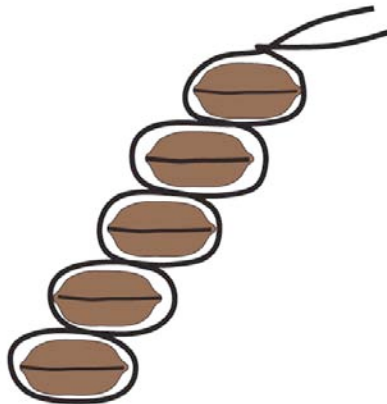
(Patent Pending)

©2007 Agrecol Corporation

**Twining prevents
vertical wall separation.**

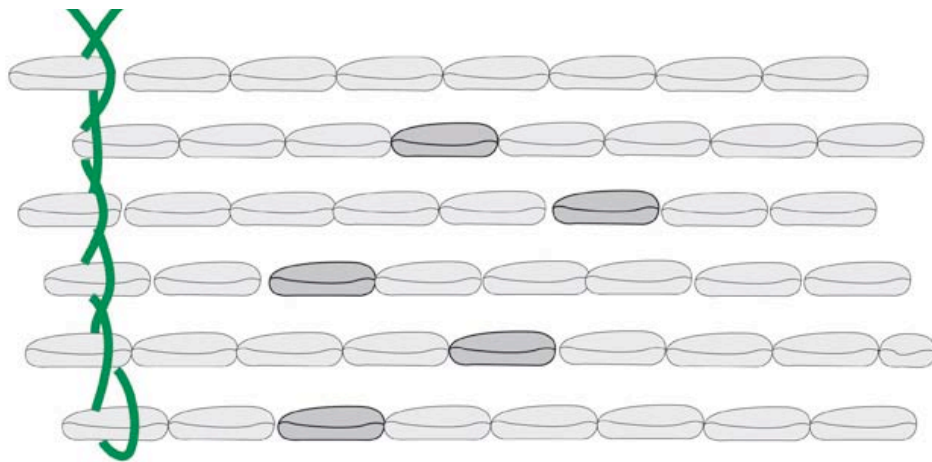
**Cinching and twining a
wall turns it into a
monolithic structure.**

Twining Diagram



Side view of twining

Twining Diagram



Front view of twining

Measuring twining bag stabilizer

- Twining a bag requires about 4'4" of bag stabilizer.
- A roll of bag stabilizer is 100 feet long.
- A roll will twine approximately 21 bag courses. (see chart)

Measuring Twining Bag Stabilizer

- 2:1 slope or flatter requires longer lengths of bag stabilizer than steeper walls.
- Cut the bag stabilizer strips to the proper length for the height of your wall.
- Allow about three feet of extra stabilizer to be buried into the parent material at the top of the wall.

Twining Chart

Determine the length of stabilizer for your wall.

Bag Courses	Stabilizer Length*
1	10
2	14
3	19
4	23
5	28
6	33
7	37
8	42
9	46
10	51

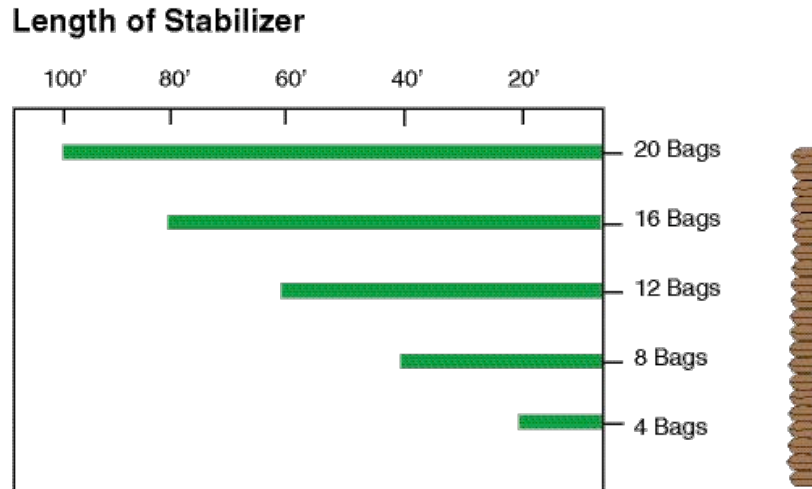
Bag Courses	Stabilizer Length*
11	56
12	60
13	65
14	69
15	74
16	79
17	83
18	88
19	92
20	97

Bag Courses	Stabilizer Length*
21	102
22	106
23	111
24	115
25	120
26	125
27	129
28	134
29	138
30	143

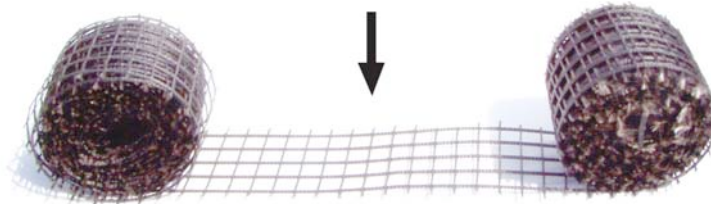
*Includes 5 feet of embedment tail

Twining Chart

Determine the length of stabilizer for your wall.

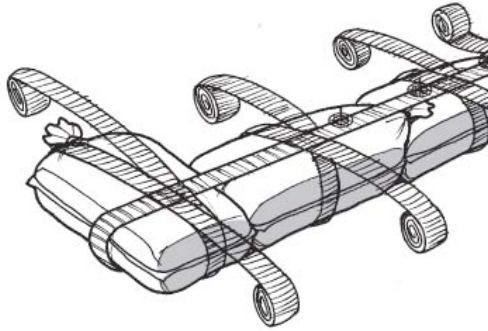


How to establish the mid-point of a roll of twining bag stabilizer



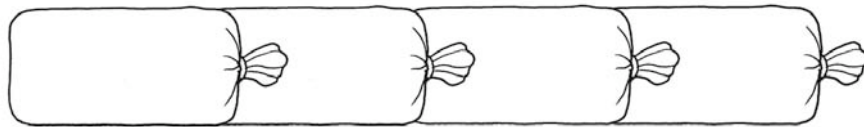
- Roll the bag stabilizer from both ends to the mid-point.
- The mid-point of the twining bag stabilizer is positioned on the ground below the foundation bag.
- The twining bag stabilizer is placed at a right angle to the cinching bag stabilizer.

Twining



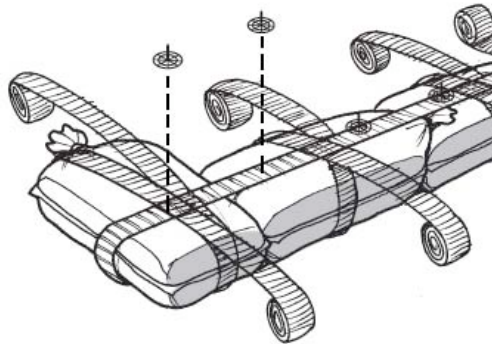
- Take each side of the bag stabilizer roll and wrap the bag so the bag stabilizer lies next to each other on top of the bag, on top of the cinching stabilizer.
- The rear strip is pulled forward; the front strip is pulled back.
- Try to keep the stabilizer rolled together; this keeps it from being buried.

Twining



- A bag can be twined anywhere along the length of the bag; even where the bags snorkels overlap.
- Tighten twining bag stabilizer before laying the next course. After the bag is laid into position, tighten the stabilizer again.

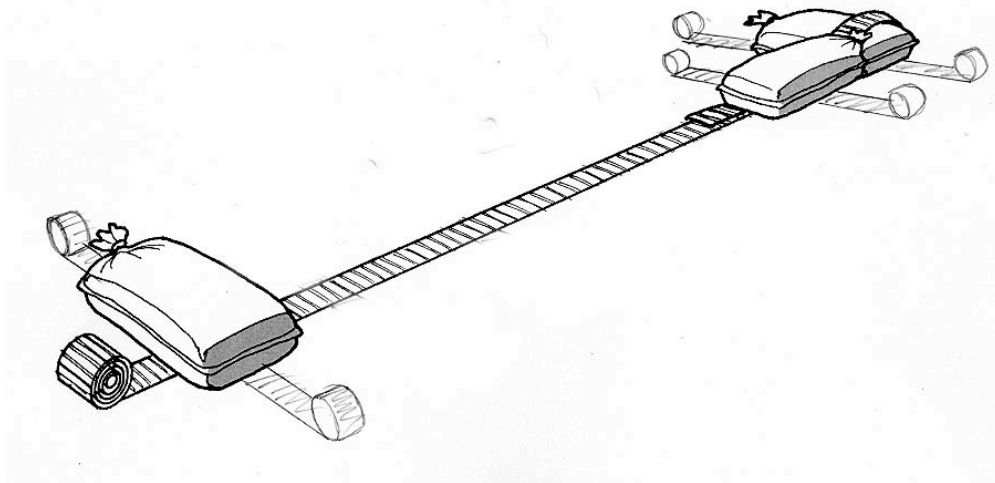
Twining



- Insert spikes after twining and cinching.
- Avoid inserting spikes into the twining stabilizer because it makes tightening the twining stabilizer difficult.

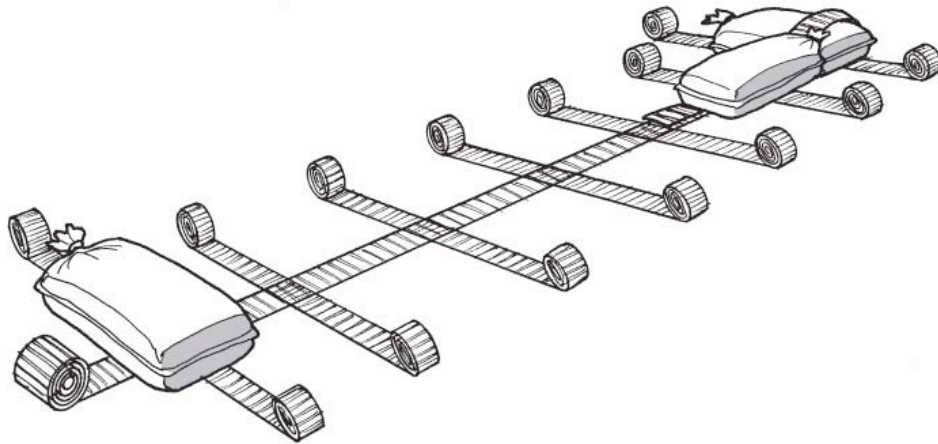
Foundation Course

Foundation Course



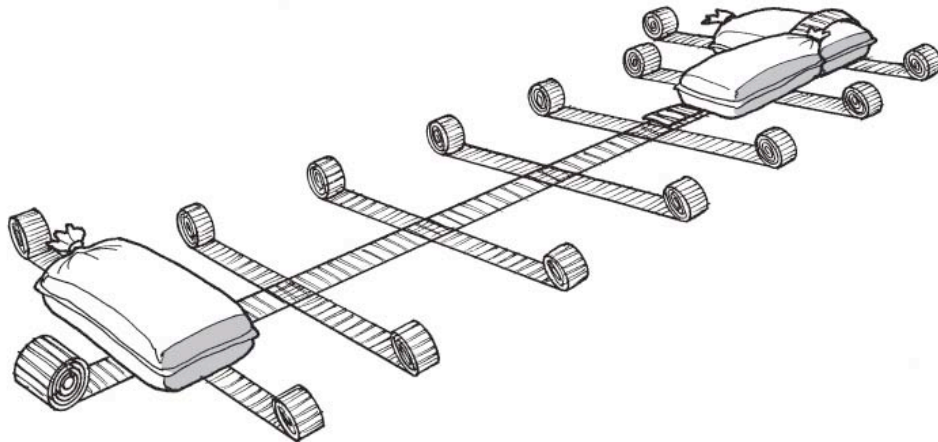
- a. Cinching Stabilizer. Unroll the bag stabilizer on the ground the entire length of the wall.
- b. Twining Stabilizer. Lay the twining bag stabilizer on the ground below the spot for the two end bags, and at a right angle to the cinching stabilizer.

Foundation Course



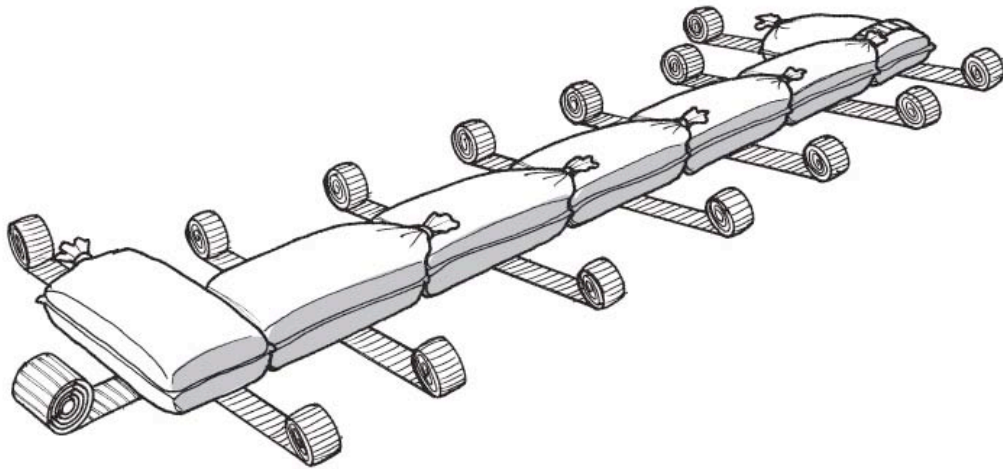
- c. Anchor Bag. Anchor each end of the cinching stabilizer with a bag. The snorkels of the bags should face inward. Place the anchor bag on its' twining bag stabilizer.
- d. The end of the roll of cinching bag stabilizer should extend 5' beyond the right anchor bag. Pull a 5' tail of bag stabilizer around this anchor bag.

Foundation Course



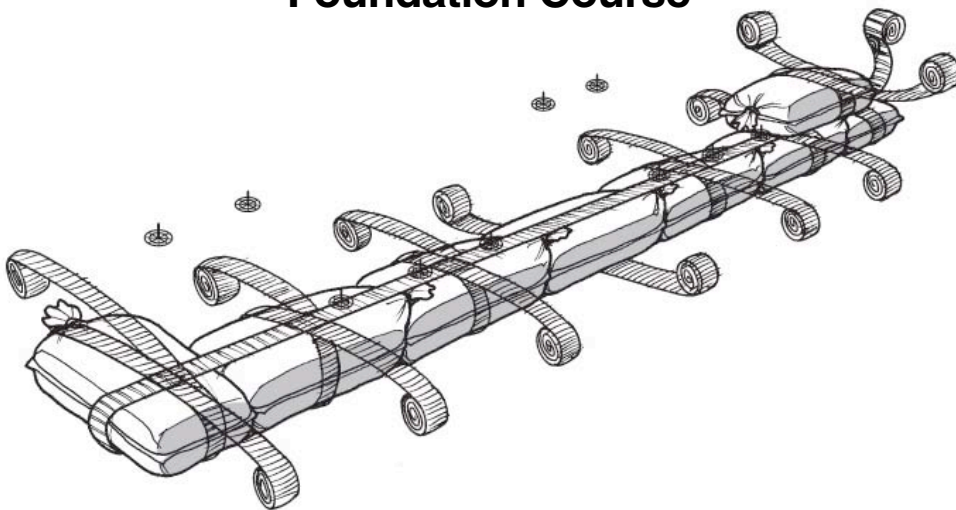
- e. Twining Stabilizer. Lay a roll of bag stabilizer for each bag in the course. The mid-point of the bag stabilizer is positioned on the ground below each foundation bag, and at a right angle to the cinching stabilizer.

Foundation Course



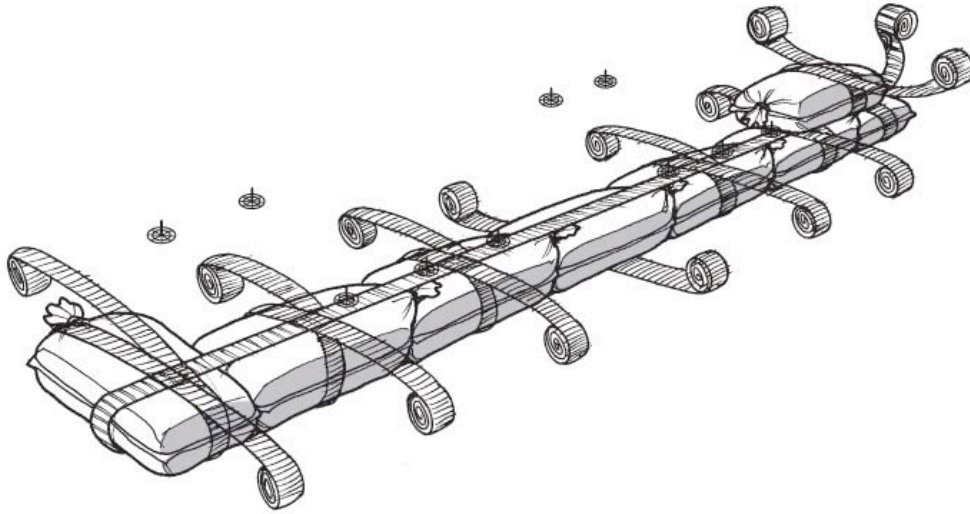
- f. Bags. Place filled bags next to each other, seam-side out, horizontally full length of the wall, on top of the bag stabilizer. The snorkels should lie on top of the previous bag. Ideally, the snorkels should all face the same direction.
- g. Tamp. Tamp each bag to flatten it slightly to insure a solid and uniform structure.

Foundation Course



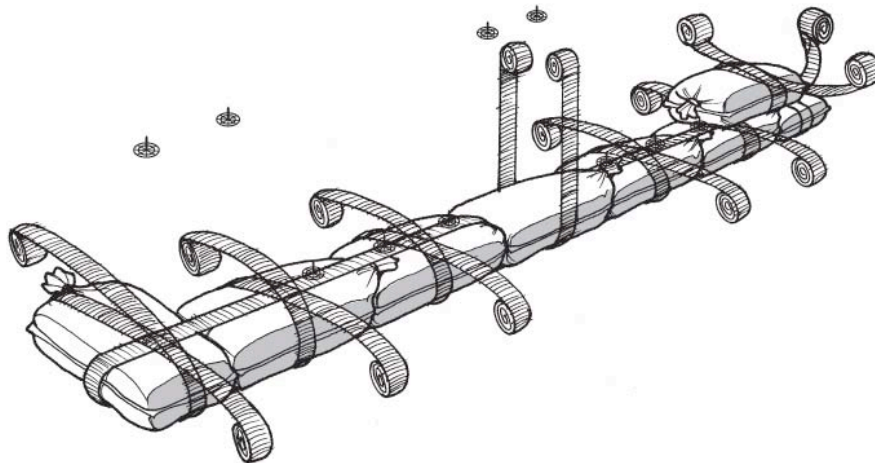
- h. Cinching Stabilizer. Unroll the left bag stabilizer across the top of the foundation course and pull it tight.
- i. Twine the right end bag.
- j. Spike the right end bag. Insert two spikes into the end anchor bag, sticking them through the bag stabilizer.

Foundation Course



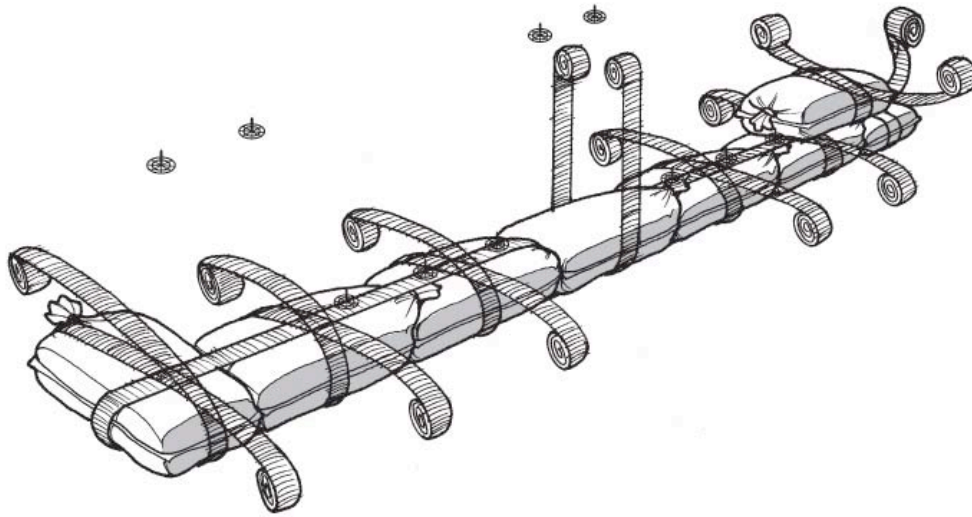
- k. End Cap. Place a bag on top of the right anchor bag. (Refer to End-Cap bag placement) Make sure the snorkel faces inward. Tamp this bag. Wrap the cinching bag stabilizer up and around the anchor bag.

Foundation Course



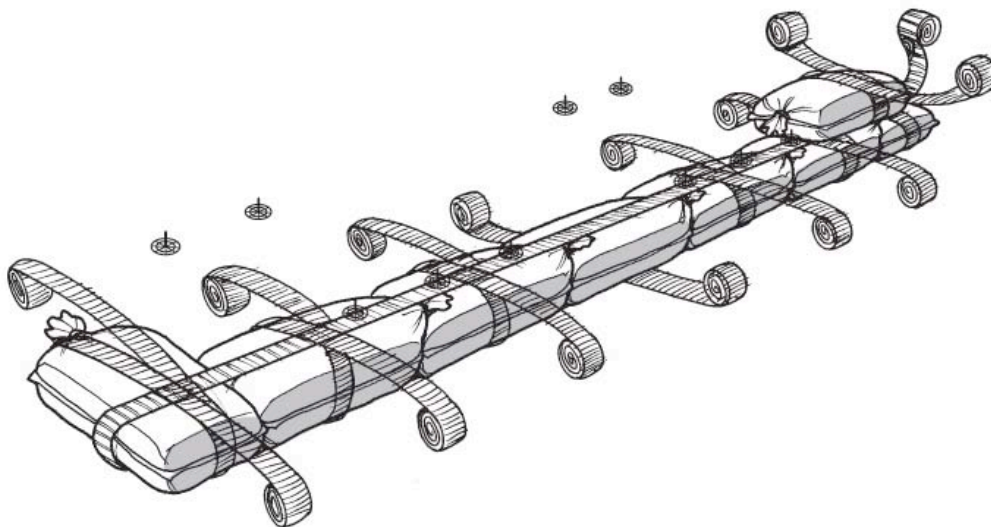
- l. Cinch the course. Remove a bag from the course below the cinching bag stabilizer, and place the bag on top of the bag stabilizer. Do this every three or four bags, or as necessary to pull the bag stabilizer tight.
- m. Tamp. Tamp each cinched bag to flatten it slightly to insure a solid and uniform structure.

Foundation Course



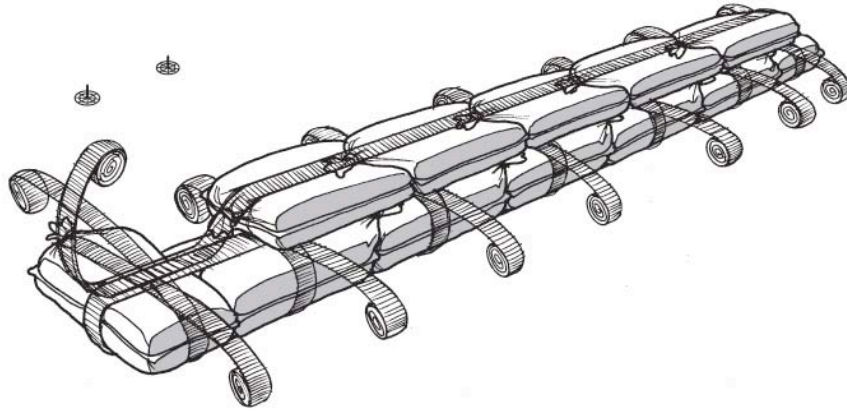
- n. Twining Stabilizer. Twine each bag in the foundation course. Take each side of the bag stabilizer roll and wrap the bag so the bag stabilizer lies next to each other on top of the bag, on top of the cinching stabilizer.

Foundation Course



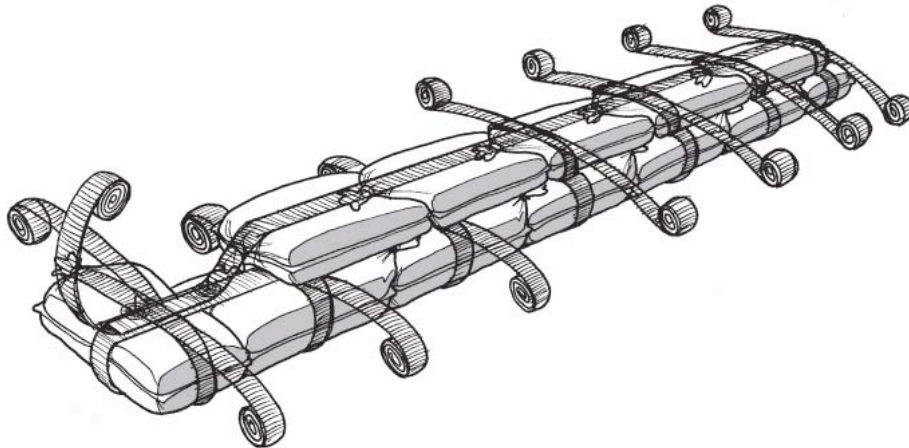
- o. Spikes. Insert two spikes into the cinching bag stabilizer on the top of each bag.
- Avoid inserting spikes into the twining stabilizer because it makes tightening the twining stabilizer difficult.

Standard Course



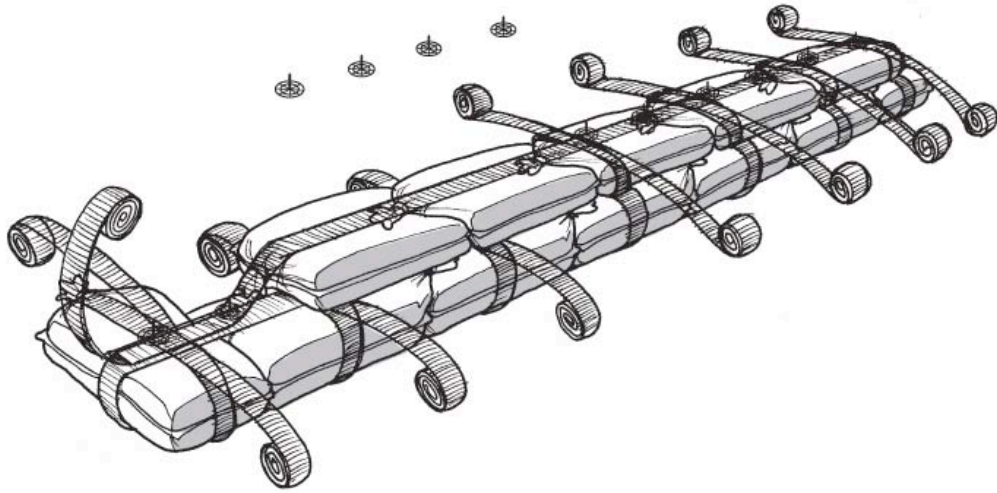
- a. Bags. Establish slope set-back. Place next course of filled bags next to each other, seam-side out, horizontally full length of the wall, with snorkel end of each bag lying on top of the previous bag.
- b. Do not place the final bag at the left end of the course. This space is for the anchor bag for the left end cap.
- c. Tamping. After you have laid the entire course of bags, tamp each bag to flatten it slightly to insure a solid and uniform structure.

Standard Course

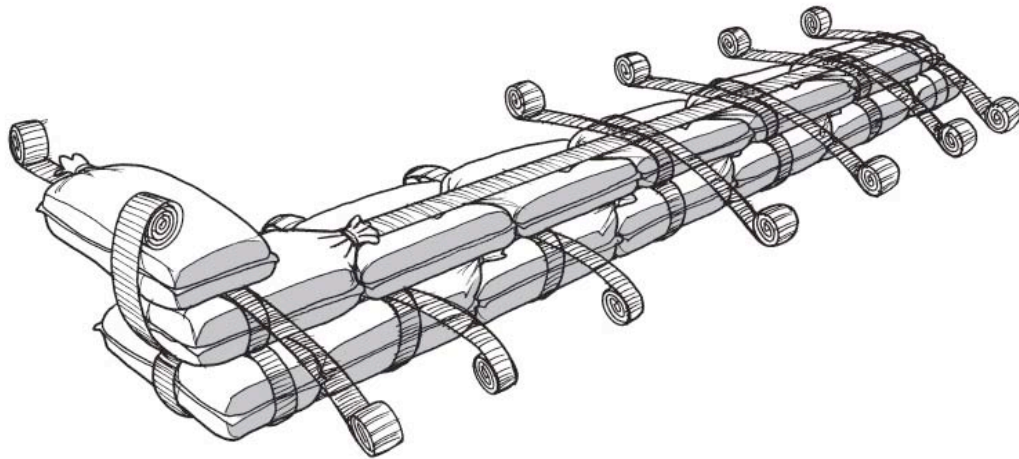


- d. Cinching Stabilizer. Unroll the bag stabilizer over the course of bags and the vacant spot.
- e. Twine and Spike. The foundation bag in the vacant spot.

Standard Course

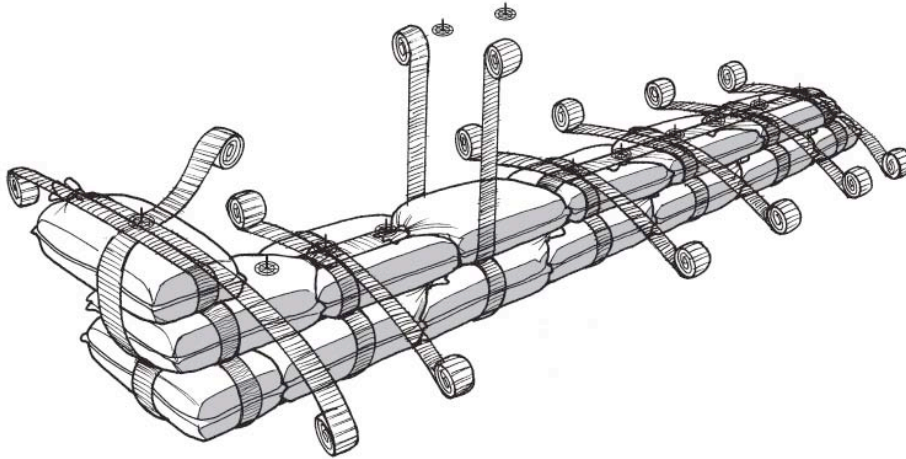


Standard Course



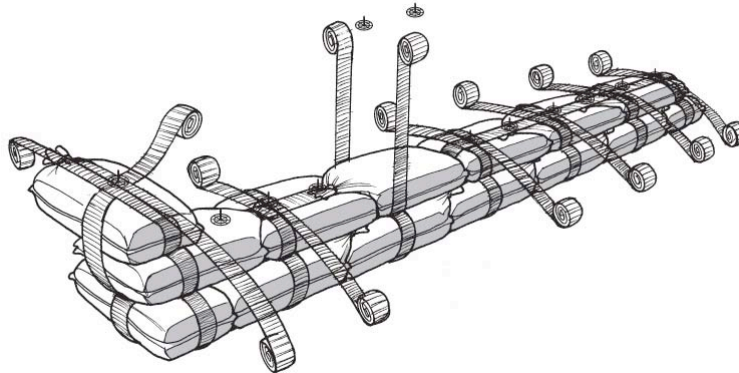
- f. Left Anchor Bag. Place the missing anchor bag into the vacant spot.
- g. Left Anchor Bag. Tamp it. Twine it. Spike it.
- h. Place an additional anchor bag on top of the left anchor bag. This is the end cap anchor.

Standard Course



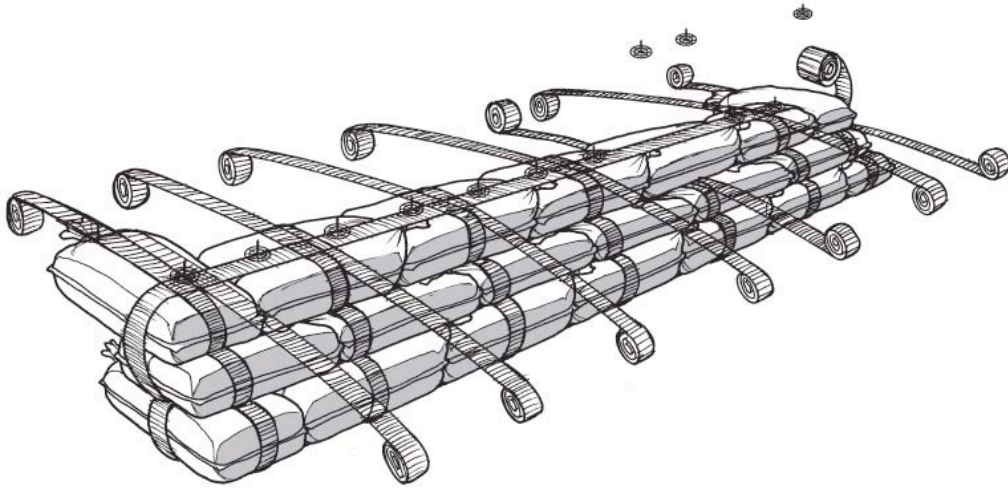
- i. Cinching Stabilizer. Wrap the roll of cinching bag stabilizer around the end-cap anchor.
- j. Cinch the course. Remove a bag from the course below the cinching bag stabilizer, and place the bag on top of the bag stabilizer. Do this every three or four bags, or as necessary to pull the bag stabilizer taut.
- k. Tamp. Tamp each cinch bag to flatten it slightly to insure a solid and uniform structure.

Standard Course



- l. Twine each bag in the course. Take each side of the bag stabilizer roll and wrap the bag so the bag stabilizer lies next to each other on top of the bag, on top of the cinching stabilizer.
- m. Spikes. Insert two spikes into the top of each bag in the course.
- n. Begin next course. The End Cap and the anchor bags are opposite side as the previous course.

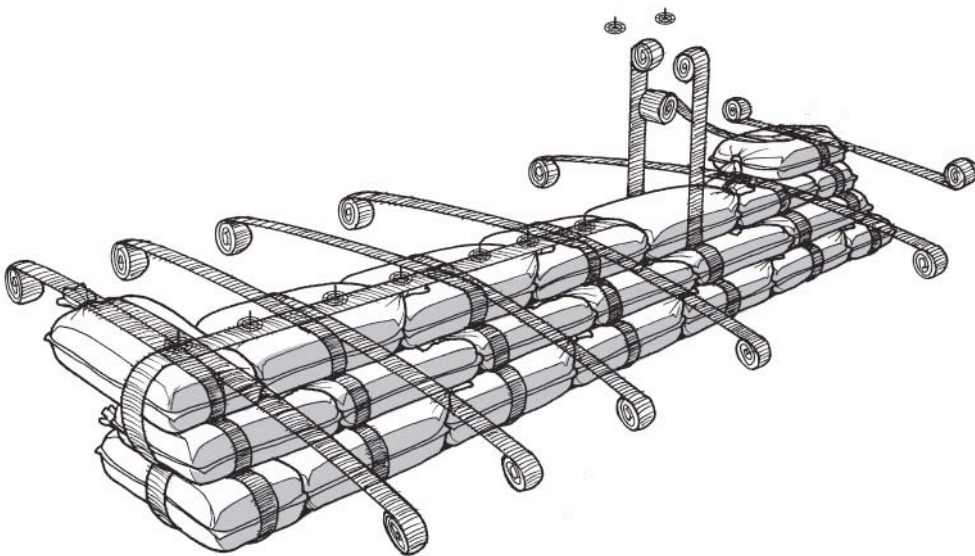
Standard Course



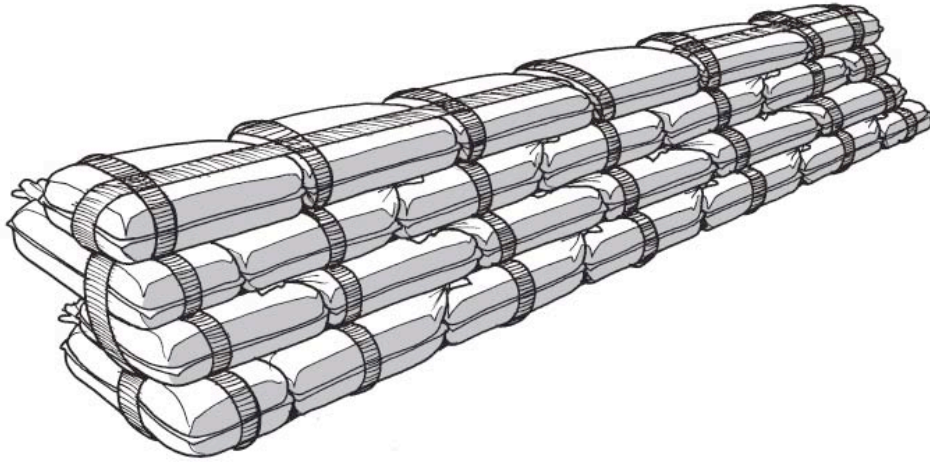
Continue laying courses.

The left end-cap becomes the right end-cap and vice-versa.

Standard Course



Final Course



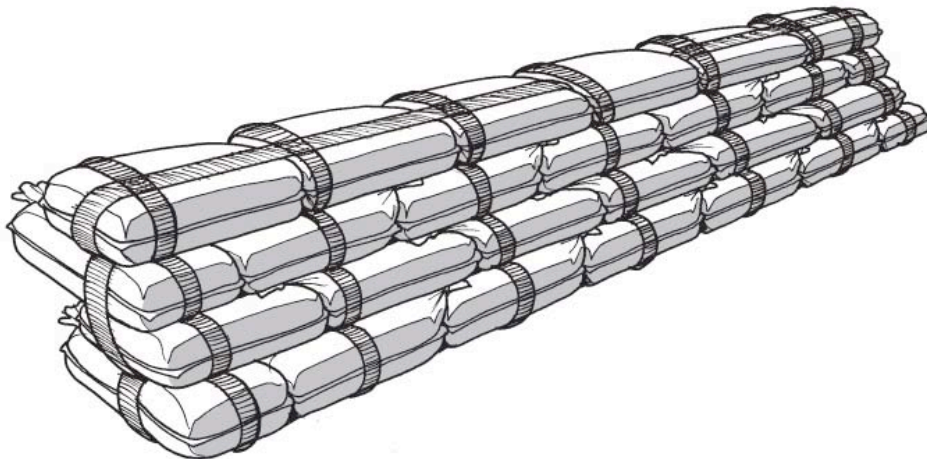
Final Course

- a. Build standard courses until you reach the desired height of the structure.
- b. Bags. Place filled bags next to each other, seam-side out, horizontally full length of the wall, on top of the bag stabilizer and spikes.
- c. Snorkle tucked in. When you place bags for the final course (top of wall), fold the snorkel end of the bag and tuck it under the bag before laying the bags tightly together.

Final Course

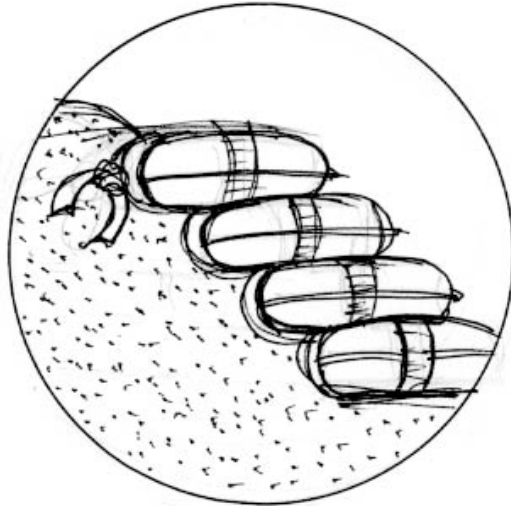
- d. Cinching Stabilizer. Pull the bag stabilizer up and around the end-cap on the top course and unroll the bag stabilizer across the top course.
- e. Secure Cinching Stabilizer. Tuck the bag stabilizer under and around the opposite anchor bag. This “secures” the end of the stabilizer.
- f. Cinching. Cinch only enough bags to make the stabilizer tight. Do not over-cinch the top course.
- g. Twine each bag in the course.
 - Take each side of the bag stabilizer roll and wrap the bag so the bag stabilizer lies next to each other on top of the bag, on top of the cinching stabilizer.

Final Course



- h. No Spikes. Do not put spikes into the top of the final course. This gives a finished look to the top course of the structure.
- i. Tamping. Tamp the top of the wall to finish it.

Final Course



Terminate Twining Bag Stabilizer

Tie both ends of the stabilizer in a knot and bury the loose ends into the parent material.